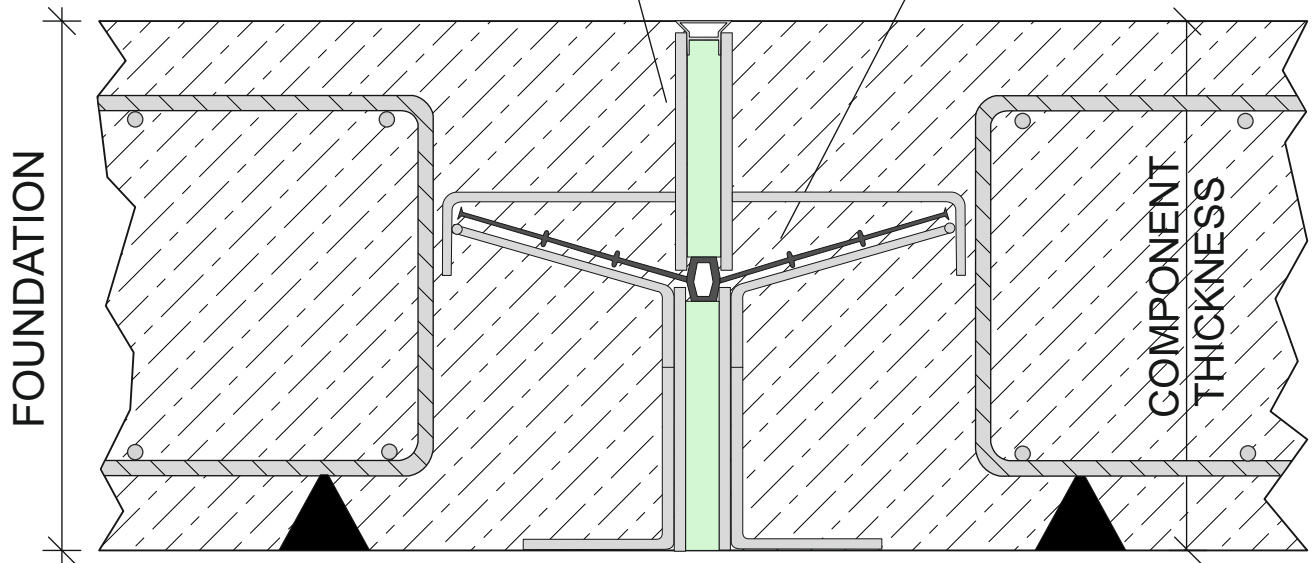


ABS EXPANSION
JOINT ELEMENT

EXPANSION JOINT
TAPE



**ABS EXPANSION JOINT ELEMENT
in Foundation**

MASTERTEC GmbH & Co. KG
special articles for reinforced construction

Gewerbegebiet Unterhaid
Im Maintal 13
D-96173 Oberhaid

Planning information:

scale: 1:5
unit of measurement: mm
status: 27.09.2023

Product information:

Article number: 070940 - 070943
Product information at
www.mastertec.eu

Tel: +49 (0) 9503 / 5047-0
Fax: +49 (0) 9503 / 5047-20
Mail: info@mastertec.eu
Web: www.mastertec.eu



ABS EXPANSION
JOINT ELEMENT

EXPANSION JOINT
TAPE

