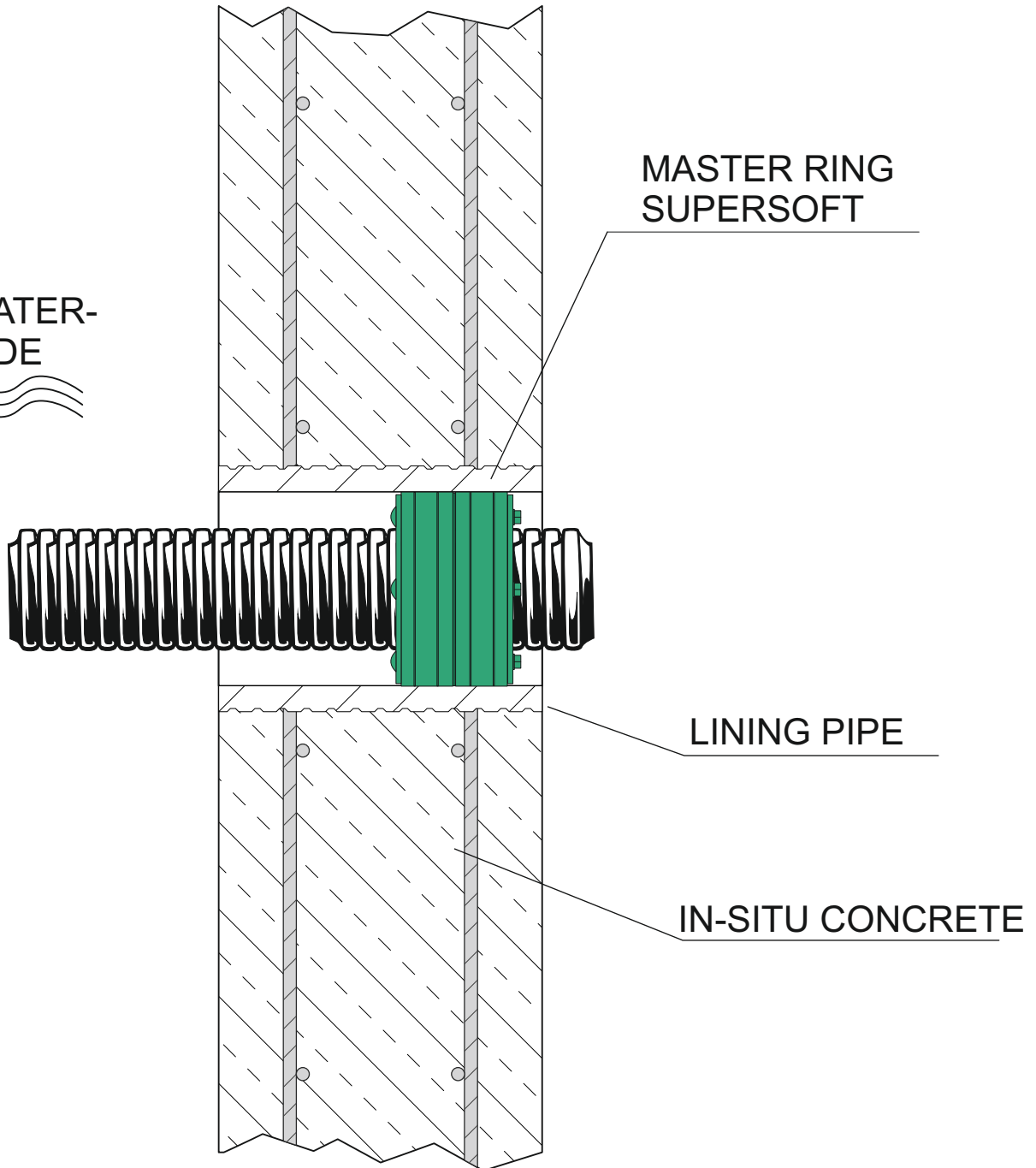


WATER-
SIDE



MASTER-RING SUPERSOFT in lining-pipe

planning information:

scale: 1:5
unit of measurement: mm
status: 13.04.2022

product information:

article number: 120280 - 120296
product information at
www.mastertec.eu

MASTERTEC GmbH & Co. KG
special articles for reinforced construction

Gewerbegebiet Unterhaid
Im Maintal 13
D-96173 Oberhaid

Tel: +49 (0) 9503 / 5047-0
Fax: +49 (0) 9503 / 5047-20
Mail: info@mastertec.eu
Web: www.mastertec.eu

