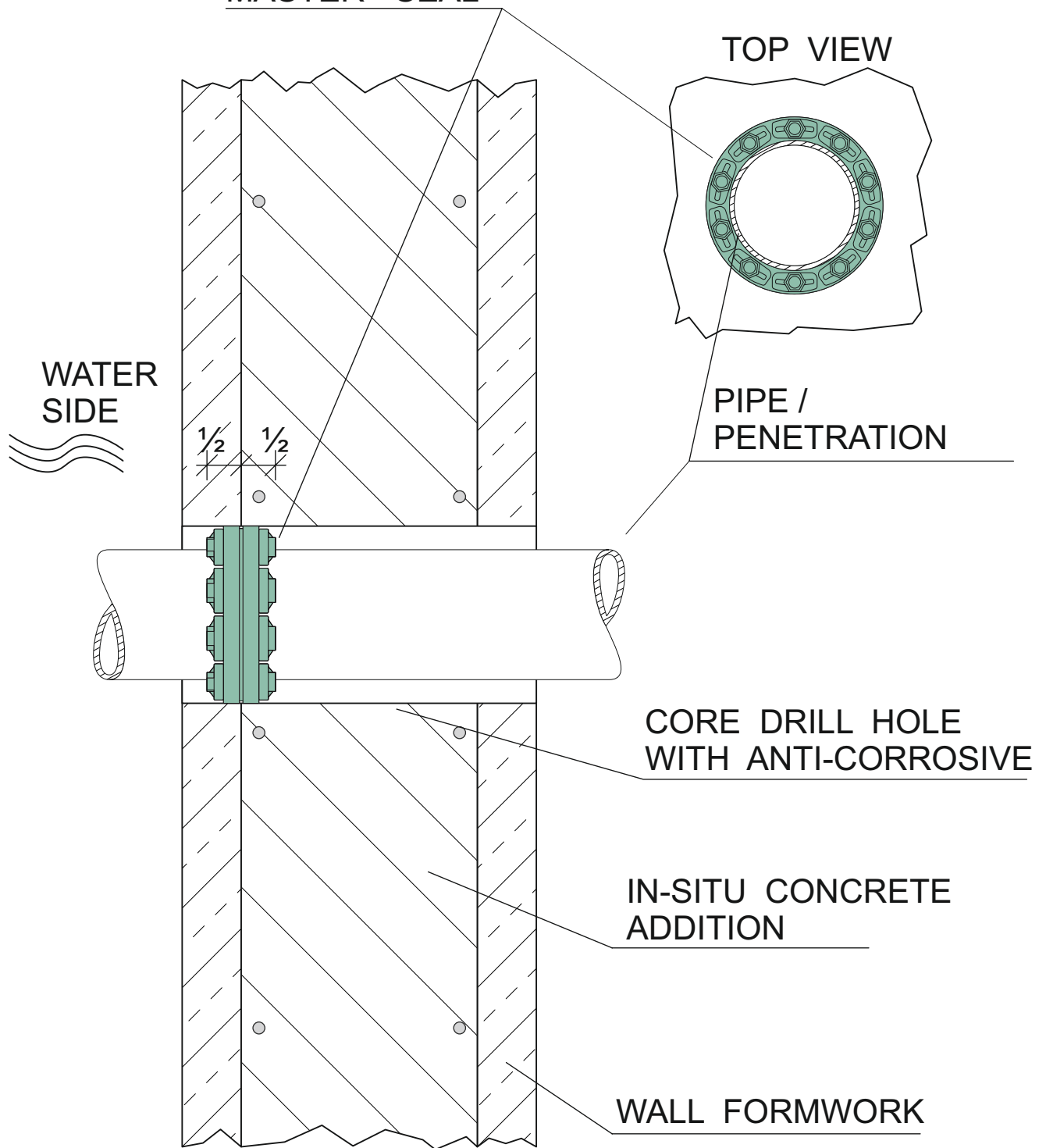


MASTER - SEAL



MASTER - SEAL in core drill hole precast wall

planning information:

scale: 1:5
unit of measurement: mm
status: 10.09.2021

product information:

article number: 110250 - 110495
110600 - 110845
product information at
www.mastertec.eu

MASTERTEC GmbH & Co. KG
Special articles for reinforced construction

Gewerbegebiet Unterhaid
Im Maintal 13
D-96173 Oberhaid

tel: +49 (0) 9503 / 5047-0
fax: +49 (0) 9503 / 5047-20
mail: info@mastertec.eu
web: www.mastertec.eu

